

Assembly & Installation Instructions

A323

Exos Square Shade Semi-Flush 12-6510

Page 1 of 3

CAUTION: FAILURE TO INSTALL THIS FIXTURE PROPERLY MAY RESULT IN SERIOUS PERSONAL INJURY OR DEATH AND PROPERTY DAMAGE. We recommend installation by a licensed electrician.

This product must be installed in accordance with applicable installation code(s), by a person familiar with the construction and operation of the product and the hazards involved.*

Caution: Do not exceed maximum wattage noted on fixture. Use only recommended bulbs with fixture.

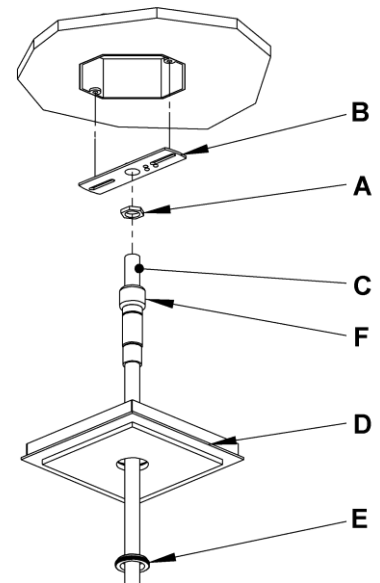
Install the Fixture (Figure 1)

Component Parts

A	Jam Nut	E	Canopy Ring
B	Crossbar	F	Coupling
C	Threaded Nipple	G	Fixture
D	Canopy		

Caution: Be sure power is off at the main breaker box prior to installation.

1. Carefully unpack the fixture from the carton.
2. Slide Canopy (D) and Canopy Ring (E) down over pipe as seen in *Figure 1*.
3. Thread jam nut (A) and crossbar (B) onto threaded nipple (C) leave parts loose.
4. Using two machine screws (not provided), fasten the crossbar (B) to the electric box.
Note: A new electric box comes with screws. When replacing a fixture, retain the existing screws for use with the new fixture.
5. Adjust the length of threaded nipple (C) in crossbar (B) so that canopy ring (E) will hold canopy (D) against the ceiling with no threads showing for best appearance. When the correct adjustment is established, tighten jam nut (A) against crossbar (B) to hold the adjustment.
6. Using suitable wire connectors (not provided), connect fixture wires to supply wires (white to white or ribbed side of the fixture cord, black to black or smooth side, and bare copper to bare copper or green supply). Push wires back into outlet box.
Caution: Make sure wire connectors are twisted on securely, and no bare wire is exposed.
7. Slide fixture canopy (D) against ceiling making sure that no wires are pinched between the canopy and the ceiling. Secure with canopy ring (E).
8. Refer to following instructions to install bulb and diffuser.



(Figure 1)

(continued)

Assembly & Installation Instructions

Exos Square Shade Semi-Flush 12-6510

A323

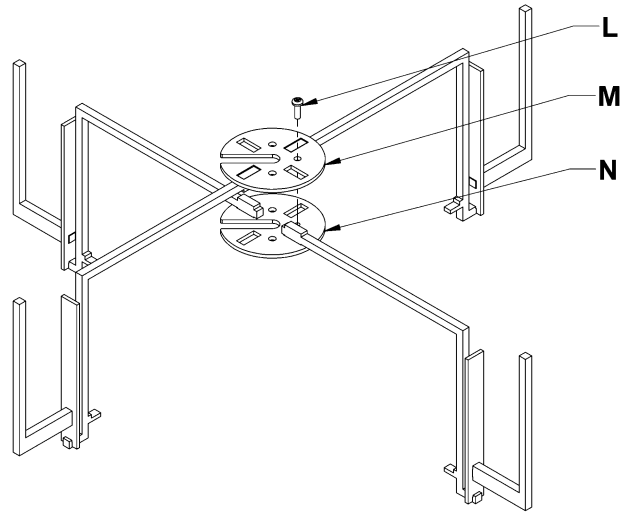
Page 2 of 3

To Assemble Bottom & Install Shades (Figures 2, 3 & 4)

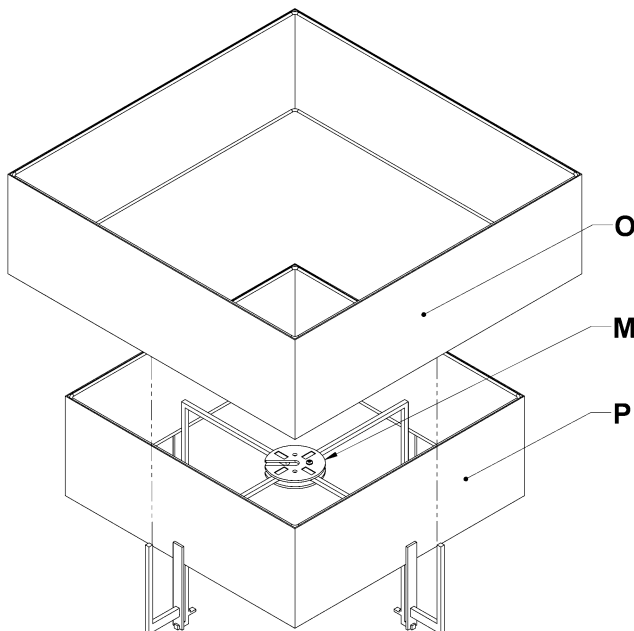
Component Parts

L	#8-32 Screw	P	Internal Shade
M	Top Shade Bracket	Q	Thumb Screw
N	Bottom Shade Bracket	R	Socket Washer
O	External Shade		

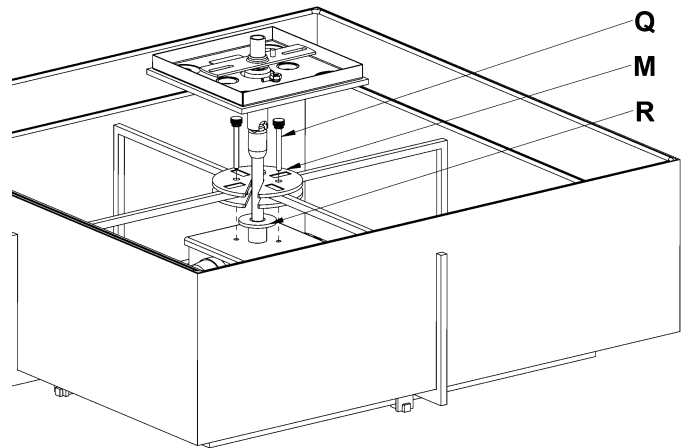
1. Remove #8-32 screw (L) from bracket (N) and set aside
2. Orient top shade bracket (M) and bottom shade bracket (N) such that the slots are aligned as seen in *Figure 2*.
3. Hold these brackets together and insert #8-32 screw (L) and tighten such that two brackets are fastened together.
4. Slide the internal shade (P) into groove behind forged plates as seen in *Figure 3* followed by external shade (O)
5. Raise shade bracket assembly with shades installed up to the installed fixture.
6. Align the slot in shade bracket (M) with the fixture pipe as seen in *Figure 4*.
7. Slide the shade bracket (M) around fixture pipe (G) and lower until it rests upon the socket washer (R).
8. Rotate until two holes in shade bracket (M) align with holes in the socket.
9. Slide thumb screws (Q) through two holes in shade bracket (M) and thread into socket cluster until tight.
10. Refer to following instructions to install bulb and shade assembly.



(Figure 2)



(Figure 3)



(Figure 4)

(continued)

Assembly & Installation Instructions

Exos Square Shade Semi-Flush 12-6510

A323

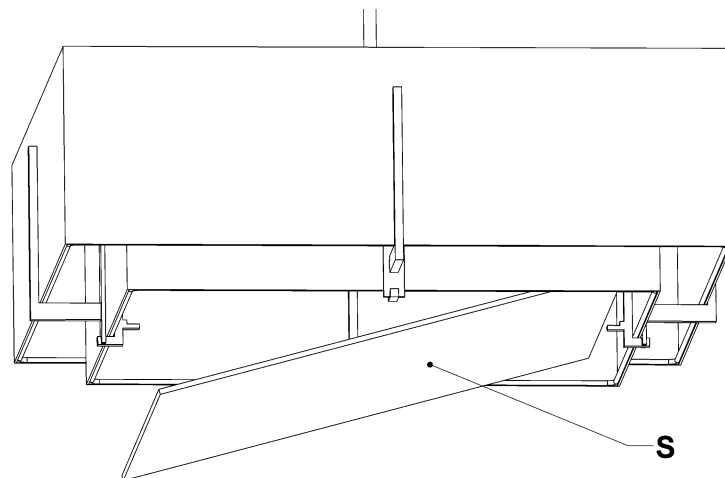
Page 3 of 3

To Install Glass Diffuser (Figure 5)

Component Parts

S Glass Diffuser

1. Install light bulbs. *Not Included*
2. Hold diffuser (S) at a slight angle as seen in *Figure 5* and raise up into fixture
3. Level out diffuser (S) and lower down so it sits flat onto the four tabs on the fixture. Adjust position so it sits centered in the fixture.
4. Restore electricity at main breaker.



(Figure 5)

If you need further assistance, or find that you are missing any parts, please contact the dealer from which you purchased this product. We hope you enjoy your fixture!

* Hubbardton Forge will not be liable for injury or damage caused by improper installation, lamping or use of this fixture.