

Assembly & Installation Instructions

For Presidio Tryne Pendant 19-443000

A123

Page 1 of 2

CAUTION: FAILURE TO INSTALL THIS FIXTURE PROPERLY MAY RESULT IN SERIOUS PERSONAL INJURY OR DEATH AND PROPERTY DAMAGE. We recommend installation by a licensed electrician.

This product must be installed in accordance with applicable installation code(s), by a person familiar with the construction and operation of the product and the hazards involved.*

Caution: Do not exceed maximum wattage noted on fixture. Use only recommended bulbs with fixture.

To Install the Canopy (Figures 1 & 2)

Component Parts

| | | | | | |
|---|---------------|---|--------------|---|--------------------|
| A | Hang Plate | D | Canopy | G | Support Rod (3) |
| B | Crossbar | E | Canopy Cover | H | Threaded Studs (2) |
| C | Lag Screw (4) | F | Hex Nut (5) | I | Knurl Ball (2) |

Caution: Be sure power is off at the main breaker box prior to installation.

Caution: This fixture must be supported independently of an outlet box.

See Figure 1 for Steps 1 thru 5

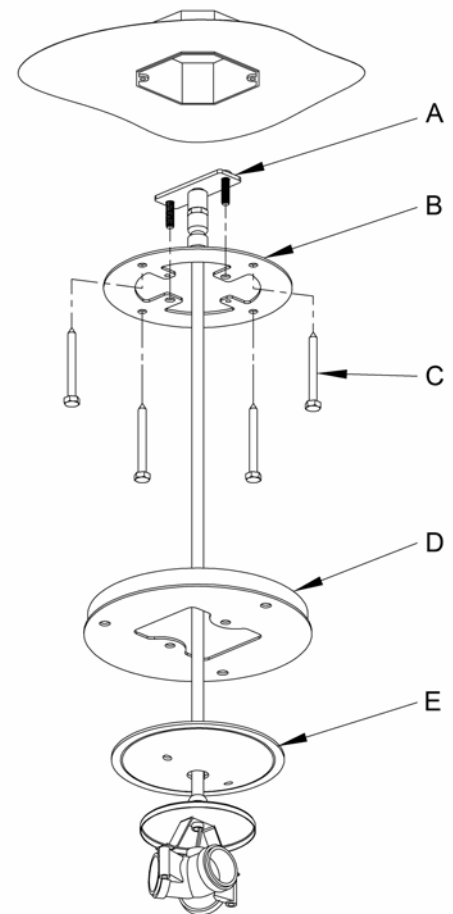
1. Carefully unpack the fixture from the carton.
2. Using at least two lag screws (C) attach cross bar (B) to a structural member in the ceiling, centering the crossbar over the outlet box. We've supplied lag screws with your fixture; however, different materials and/or construction methods may require different fasteners. If in doubt, contact a qualified electrician. Do not attach crossbar directly to outlet box.
3. Place canopy (D) over hang plate (A) and gently lower it so that it rests against canopy cover (E) and body of fixture.
4. Push hang plate (A) at top of fixture up into electrical box, past the crossbar (B). Turn the hang plate and drop the threaded studs in the hanger plate into the larger inner holes in the crossbar. Make sure no wires are pinched.
5. Using suitable wire connectors (not provided), connect fixture wires to supply wires (white or ribbed side of fixture cord to white supply, black or smooth side of fixture cord to black supply, and bare copper to bare copper or green supply). Push wires back into outlet box.
Caution: Make sure wire connectors are twisted on securely, and no bare wire is exposed.

See Figure 2 for steps 6 thru 8

6. Insert three support rods (G) through outer holes in canopy (D).
7. Thread hex nut (F) onto support rod (G) until snug against inside of canopy (D).
8. Slide canopy (D) up over the threaded studs in hang plate (A) and against ceiling. Secure using two hex nuts (F).

See Figure 3 for Steps 9 thru 12

9. Start threaded studs (H) into threaded holes in crossbar (B).
10. Slide canopy cover (E) up over the threaded studs (H) and against the canopy. Secure with the two knurled balls (I).
11. Refer to glass installation instructions and install glass.



(Figure 1)

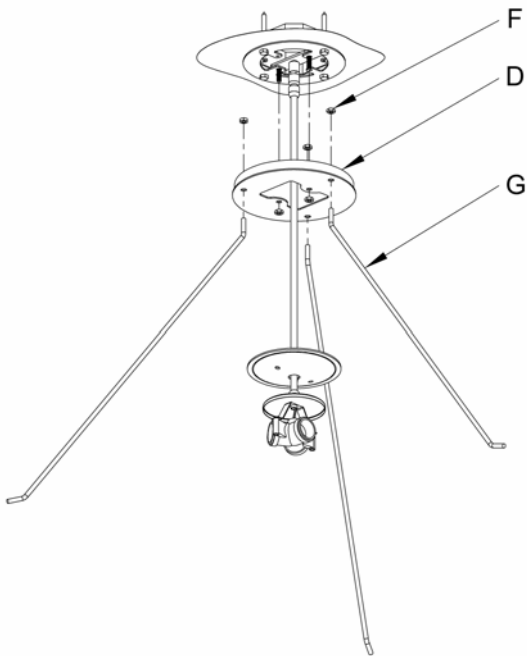
(continued)

Assembly & Installation Instructions

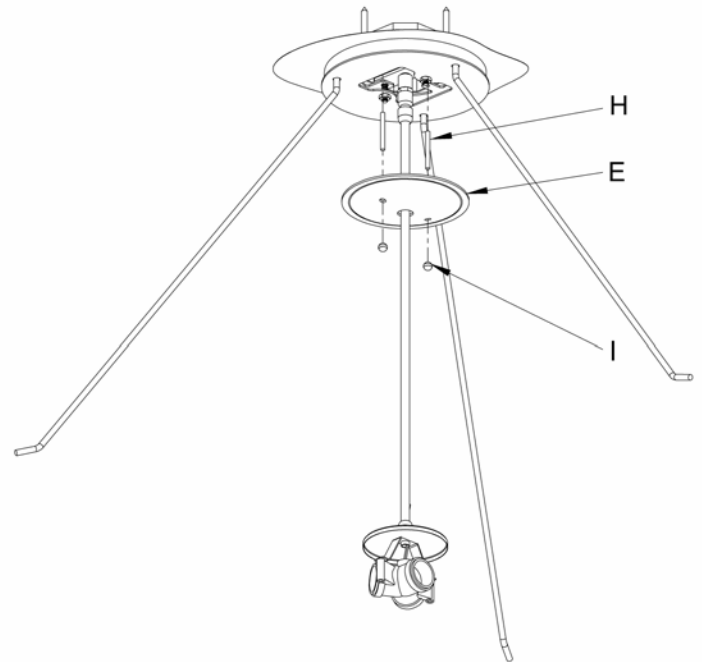
For Presidio Tryne Pendant 19-443000

A123

Page 2 of 2



(Figure 2)



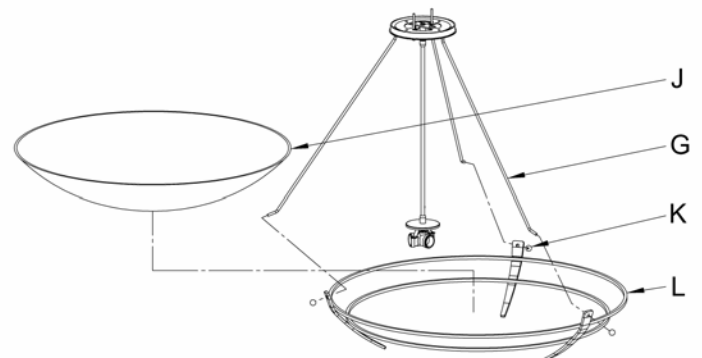
(Figure 3)

To Install Glass (Figure 4)

Component Parts

- G Support Rods (3)
- J Glass
- K Threaded Balls (3)
- L Ring Assembly

1. Install light bulbs prior to installing glass.
2. Insert the ends of two of the support rods (G) through two of the holes in the ring assembly (L). Secure with threaded balls (K).
3. Place glass (J) in ring assembly (L). Insert remaining support rod (G), securing with remaining threaded ball (K).
4. Level glass as needed.
5. Restore electricity at main breaker.



(Figure 4)

If you need further assistance, or find that you are missing any parts, please contact the dealer from which you purchased this product. We hope you enjoy your fixture!

* Hubbardton Forge will not be liable for injury or damage caused by improper installation, lamping or use of this fixture.