

Installation Instructions

Compass Semi-Flush 12-4550

A112

Page 1 of 2

CAUTION: FAILURE TO INSTALL THIS FIXTURE PROPERLY MAY RESULT IN SERIOUS PERSONAL INJURY OR DEATH AND PROPERTY DAMAGE. We recommend installation by a licensed electrician.

This product must be installed in accordance with applicable installation code(s), by a person familiar with the construction and operation of the product and the hazards involved.*

Caution: Do not exceed maximum wattage noted on fixture. Use only recommended bulbs with fixture.

To Install Fixture (Figure 1)

Component Parts

- A Crossbar
- B Ground Screw
- C Threaded Stud (2)
- D Fixture
- E Knurl Ball (2)

Caution: Be sure power is off at the main breaker box prior to installation

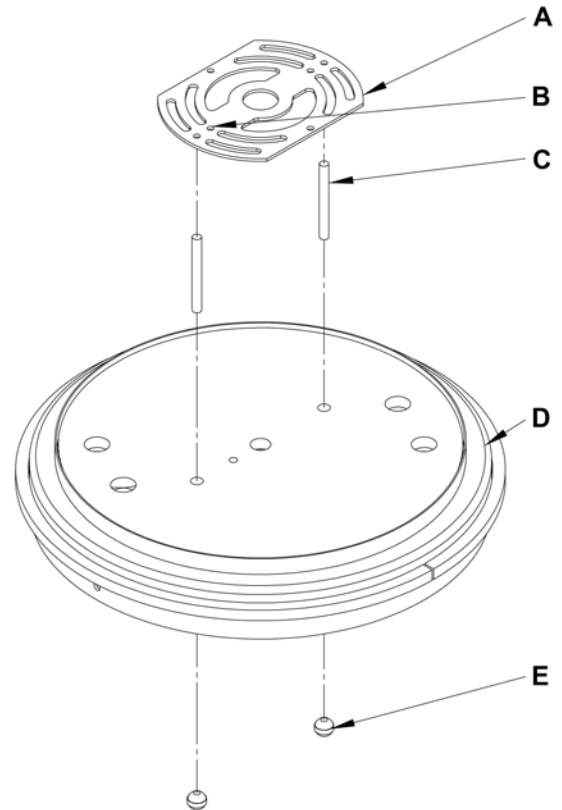
1. Remove tab (H) from glass frame (J) by removing flat head screw (F). Do not discard tab or flat head screw.
2. Carefully unpack the fixture from the carton.
3. Thread studs (C) through appropriate holes in cross bar (A) to match hole centers in fixture (D). Move ground screw (B) to another available threaded hole if necessary.
4. Using two machine screws (not provided) fasten cross bar (A) to the electric box using outer oval holes to orient fixture to desired hanging position.

Note: A new electric box comes with screws. When replacing an existing fixture, retain the screws for use with the new fixture.

5. Using suitable wire connectors (not provided), connect fixture wires to supply wires (white to white or ribbed and black to black or smooth). Connect all ground wires to green ground screw (B).

Caution: Make sure wire connectors are twisted on securely, and no bare wire is exposed.

6. Slide fixture (D) over threaded studs and push firmly to ceiling, making sure that no wires are pinched between fixture and ceiling. Fasten with knurl balls (E). Be sure studs (C) are fully seated in the knurl balls (E).
7. Refer to instructions on next page to install glass & bulbs.
8. Restore electricity at main breaker.



(Figure 1)

(continued)

Installation Instructions

Compass Semi-Flush 12-4550

A112

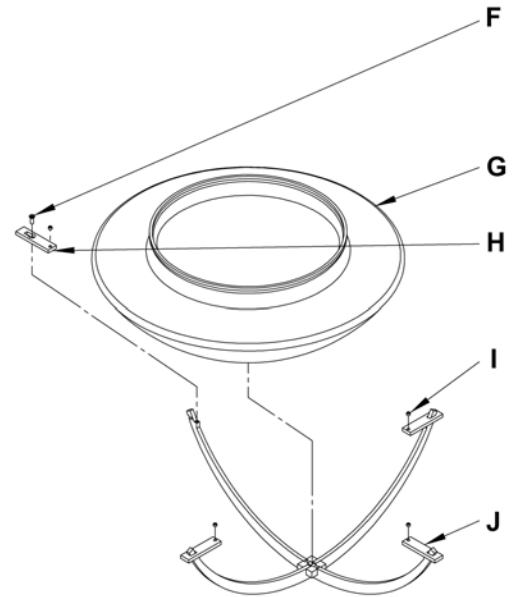
Page 2 of 2

To Assemble Glass Frame (Figure 2)

Component Parts

- F Flat Head Screw (1)
- G Glass
- H Tab (4)
- I Nylon Set Screw (4)
- J Glass Frame

1. Slip glass (G) in to glass frame (I) so it rests below the three tabs.
2. Install tab (H) oriented with counter sunk side up on to glass frame (J).
3. Install flat head screw (F) to glass frame (J).
4. Install (4) nylon set screws (I) and tighten until snug against glass (G).



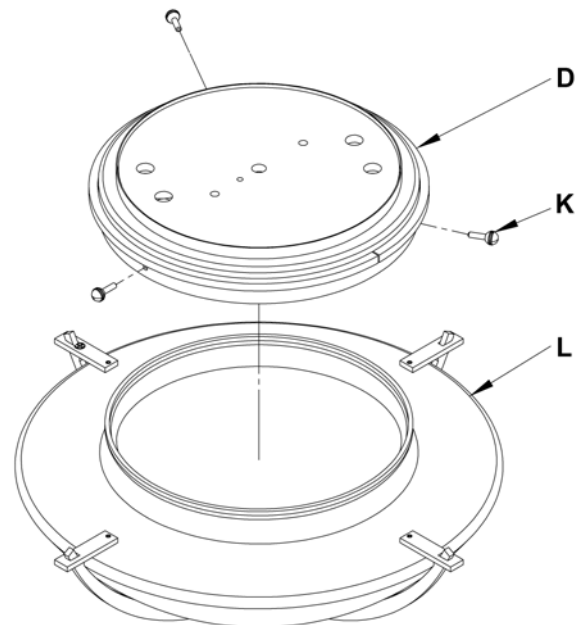
(Figure 2)

To Install Glass (Figure 3)

Component Parts

- D Fixture
- K Ball Screws (3)
- L Glass Assembly

1. Install light bulbs (not provided).
2. Insert the glass assembly (L) into the fixture (D) and secure by tightening the three ball screws (K) against the glass.



(Figure 3)

If you need further assistance, or find that you are missing any parts, please contact the dealer from which you purchased this product. We hope you enjoy your fixture!

* Hubbardton Forge will not be liable for injury or damage caused by improper installation, lamping or use of this fixture.