

Installation Instructions

F10

For Rook Robe Hook 84-4001

CAUTION: FAILURE TO INSTALL THIS PRODUCT PROPERLY MAY RESULT IN PERSONAL INJURY OR PROPERTY DAMAGE. We recommend installation by a qualified individual trained in the building trade.

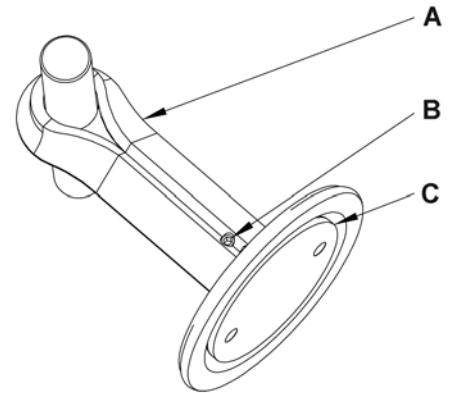
This product must be installed in accordance with applicable installation code(s), by a person familiar with the construction and operation of the product and the hazards involved.*

To Install

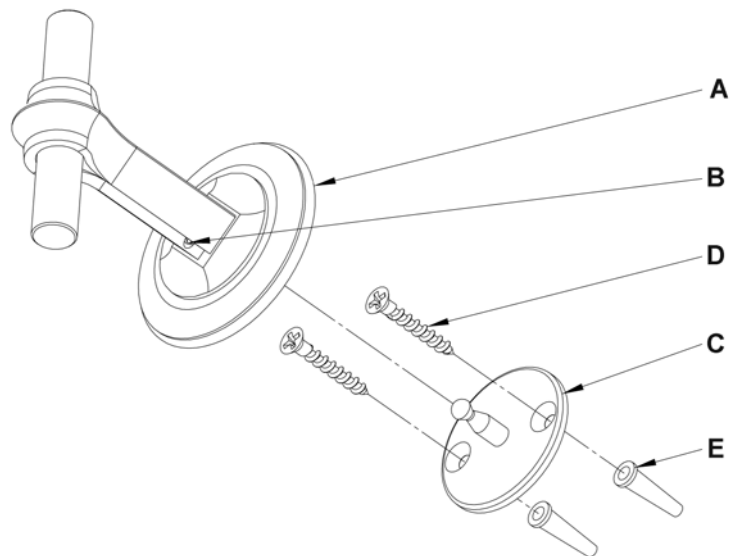
Component Parts

- A Robe Hook
- B Set Screw
- C Wall Mount Plate
- D Screws (2)
- E Wall Anchors (2)

1. Remove wall mount plate (C) from robe hook (A) by loosening set screw (B) and sliding wall mount plate (C) from fixture (A) (Figure 1).
2. Hold wall mount plate (C) in location where robe hook is to be mounted. With a pencil, mark the location of all mounting holes in the wall mount plate on the wall behind.
3. If attaching directly to a framing member skip this step. Put the wall mount plate down and drill 1/4" holes in the locations marked on the wall if wall anchors (E) are to be used. For holes using anchors, place the tapered end of the anchors (E) into the holes and gently tap them flush to the wall using a light weight hammer.
4. Install screws (D) through wall mount plate (C) and into each anchor or directly into a framing member.
5. Slip robe hook (A) onto wall mount plate (C) until it is against wall.
6. Align robe hook (A) so it is straight and tighten set screw (B).



(Figure 1)



(Figure 2)

If you need further assistance, or find that you are missing any parts, please contact the dealer from which you purchased this product. We hope you enjoy your fixture!

* Hubbardton Forge will not be liable for injury or damage caused by improper installation or use of this fixture.